

# Access-Ability, supplier of accessibility.....

The range of UVL Lifts for wheelchair for private use has become the first choice for people looking for a product which **complies with disability-related regulations and offers maximum seating capacity.**

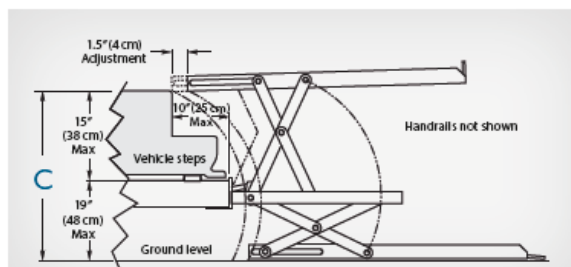
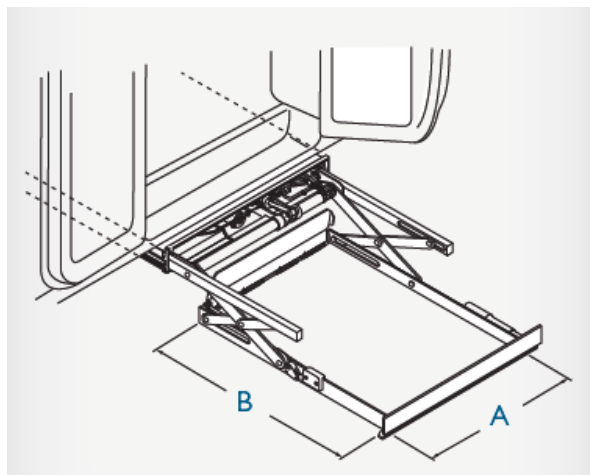
The UVL Lift retracts into a weather-tight compartment and remains folded until needed. It does not obstruct the visibility and offers more flexibility for the ground configuration.



## Under Vehicle Lift (UVL)

### Key technical characteristics :

- ◆ Designed for side door installation
- ◆ Non-slip platform surface
- ◆ Smooth and quiet operation
- ◆ **Durable handheld control box** including door opener button
- ◆ The lift will not raise unless the automatic roll stop is up
- ◆ **Optional handrails extra security** for wheelchair user and standee available for UVL 60IC
- ◆ EMC test approved and CE-marked



UVL	Reference	Power supply	Clear platform width	Clear platform length	Max. floor to ground	Cassette length	Cassette width	Cassette height	Min. clear door opening width	Lifting capacity	Unit weight
UVL601C	700151	12V	72	109	86	157	97	12	97	340	111
UVL603C	700152	12V	76	122	86	170	103	12	103	340	122



Address : BP19, 80490 Hallencourt, France

Tel. : +33 (0)3 22 25 58 65

Mobile : + 33 (0) 6 45 72 46 90

[contact@access-ability.eu](mailto:contact@access-ability.eu)

[www.access-ability.eu](http://www.access-ability.eu)