

6 Ways Base



The **Autoadapt 6-Way Base** is a powered seat base that rotates, lifts and moves the driver's seat backwards to facilitate transferring inside the vehicle.

It allows you to move the driver seat backwards, rotate it and adjust it in height to bring the driver seat next to the wheelchair.

The adjustment options allow you to modify the position for a safe driving.

Technical features :

- Easy to operate with only three toggle switches
- Designed to eliminate sway and to provide complete stability
- Blends well with the vehicle's interior design
- The original seat can be mounted on top of the 6-way base
- Crash test approved in all driving positions
- Available in both left and right models
- Stylish cover to protect from accidental pinching

6 Ways Base: Compatibility matrix

SEAT COMPATIBILITY				
BEV	BEV KIDS	COMPACT	RECARO	GS
✓ ⁴	✓ ⁴	✓ ⁴	✓ ⁴	✓ ¹

1. requires adapter plate 4. requires Slide rails

CARONY COMPATIBILITY			ACCESSORIES COMPATIBILITY		
CARONY	CARONY CLASSIC	CARONY GO	TILDA TILT	CARO-SLIDE	SLIDE RAILS
✗	✗	✗	✗	built in	✓ ⁵

5. required for installation with non-OEM seats

Note: We recommend using slide rails when mounting a seat on the 6-Way Base. This will provide the best comfort and installation flexibility.

Note: When installing the 6-Way Base we recommend using the vehicle specific brackets. Mounting brackets for both floors and seats are available for the most common vehicle types.



Address : BP19, 80490 Hallencourt, France

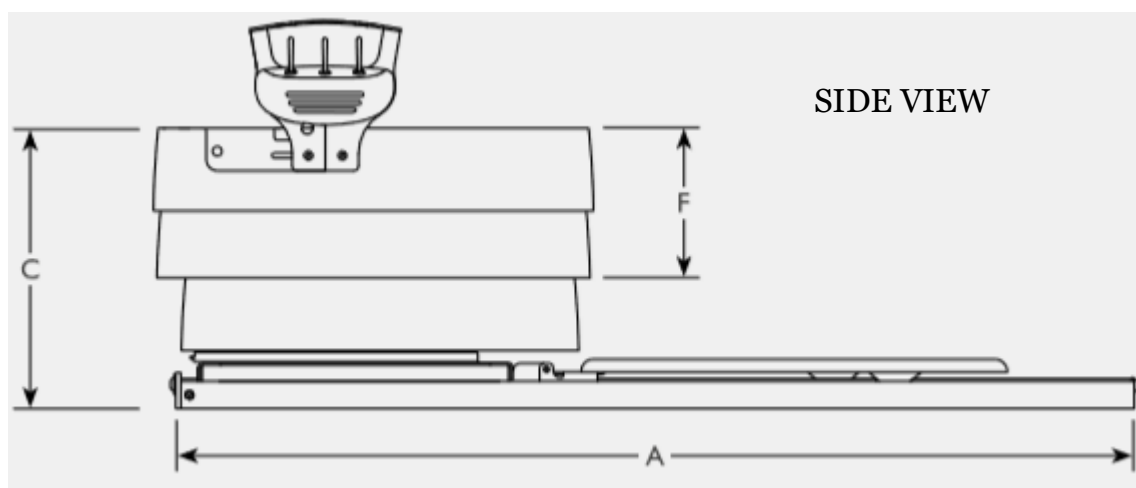
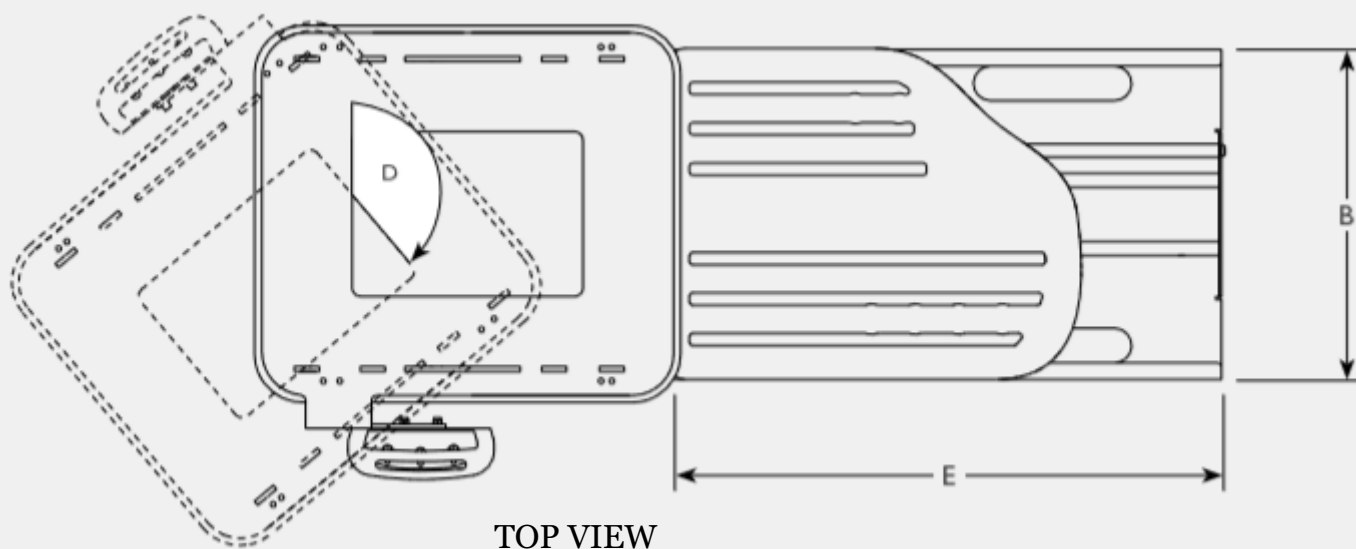
Tel : +33 (0)3 22 25 58 65 / Mobile : + 33 (0)6 45 72 46 90

contact@access-ability.eu
www.access-ability.eu

6 Ways Base : models and dimensions

6-Way Base		Installation in vehicle	Length	Width	Height	Swivel range	Lengthwise movement	Vertical travel	Weight capacity	Unit weight
			A	B	C	D	E	F		
102463	6-Way Base, short	left	92.6	40	17-35	0-140°	51	18	150	54
102464	6-Way Base, short	right	92.6	40	17-35	0-140°	51	18	150	54
102465	6-Way Base, long	left	112.6	40	17-35	0-140°	71	18	150	56
102466	6-Way Base, long	right	112.6	40	17-35	0-140°	71	18	150	56
102513	Universal mounting bracket*	floor								
102515	Universal mounting bracket OEM seat*	seat								
102467	Footrest	left								
102468	Footrest	right								

All weights and dimensions are given in kilograms and centimetres, and for reference only. Weight capacity refers to the total weight of the seat, accessories and user.



6 Ways Base

To guarantee your safety, Autoadapt products are designed and tested according to current directives and standards.

Contact us for a free quotation!



Address : BP19, 80490 Hallencourt, France

Tel : +33 (0)3 22 25 58 65 / Mobile : + 33 (0)6 45 72 46 90

contact@access-ability.eu
www.access-ability.eu