

Carony Go wheelchair system

The **Carony Go** is a **powered wheelchair** that lets you **stay seated while transferring** to the car seat.

By docking the wheelchair to either a swivel seat or seat lift, the wheelchair seat **can be slid off its base and onto the docking plate where the seat locks safely in place and becomes the car seat.**

This can be very useful if you are a **heavy person** and your carer's strength is limited or if moving from the wheelchair is painful for you.



Carony Go wheelchair system

Carony Go main features

- A **single seat for the wheelchair and the vehicle**
- **Speed variator**
- **Motorized height adjustment**
- **Buzzer**
- **Optional headlights and turn signals**
- **Compatible with Tilda Tilt function** (seating adjustments)
- **Anti-tipping** as standard
- **Maximum speed 6.5 km / h**
- **Autonomy 25 km**
- Full charging time up to 8 hours
- 230 V AC mains voltage, 50 Hz
- Suitable for **people of all sizes**, including small people and children
- **Narrow wheelbase** for inside movement

SWIVEL BASE COMPATIBILITY					
TURNOUT	TURNY MANUAL	TURNY LOW VEHICLE	TURNY HD/ORBIT	TURNY EVO	6-WAY BASE
✓ ²	✗	✗	✓ ²	✓ ²	✗

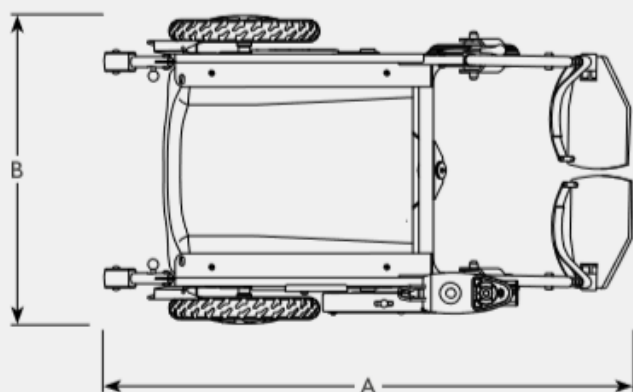
2. requires Carony rails

SWIVEL SEAT	CARONY DOCKING RAILS
Turnout	475 mm (102720)
Turny HD/Orbit	475 mm (102720)
Turny Evo	550 mm incl. adapter plate** (102811)

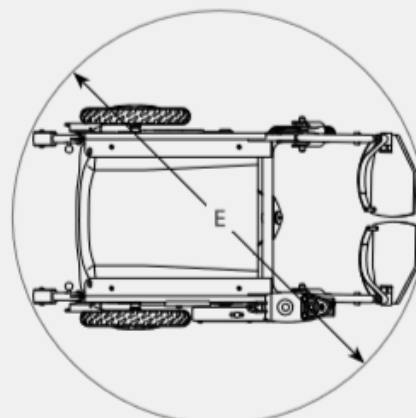
Dimensions and models

Carony Go Wheelchair System

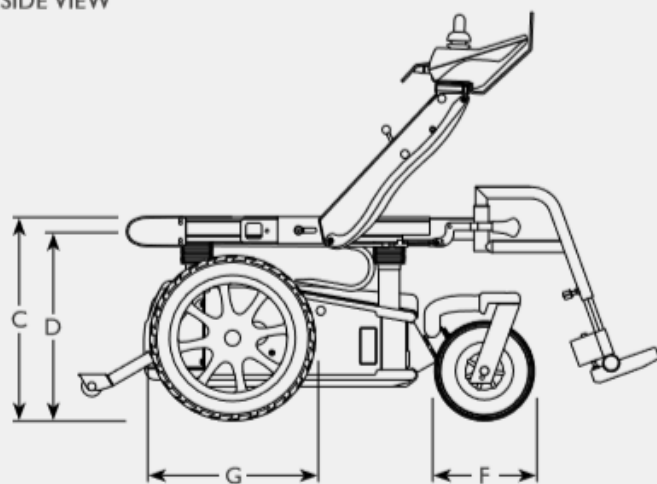
TOP VIEW



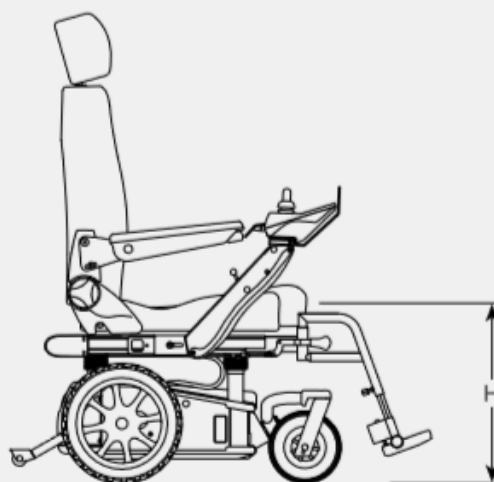
TOP VIEW



SIDE VIEW



SIDE VIEW



Carony Go		Joystick side	Obstacle height	Length	Width	Height	Docking height	Turning radius	Front wheel diameter	Rear wheel diameter	Seat height	Maximum user weight	Unit weight
				A	B	C	D	E	F	G	H		
101527	Carony Go	right	8	75	65	38-50	34-46	90	20	31.5	43-55	120	93 / 75
101528	Carony Go	left	8	75	65	38-50	34-46	90	20	31.5	43-55	120	93 / 75
102634	Carony Go, including lights	right	8	75	65	38-50	34-46	90	20	31.5	43-55	120	93 / 75
102635	Carony Go, including lights	left	8	75	65	38-50	34-46	90	20	31.5	43-55	120	93 / 75

All weights and dimensions are given in kilograms and centimetres, and for reference only. Weight capacity refers to the total weight of the seat, accessories and user.

To guarantee your safety Autoadapt products are designed and tested according to current directives and standards.

Contact us for a free quotation!



Address : BP19, 80490 Hallencourt, France

Tel : +33 (0)3 22 25 58 65 / Mobile : + 33 (0)6 45 72 46 90

contact@access-ability.eu
www.access-ability.eu