

## Turnout Swivel Seat



**Turnout** is a **swivel base** designed for those who need help for entering a vehicle or moving from their wheelchair to the car seat.

**Turnout** makes it possible to rotate the seat, get it out of the car and advance a few centimeters, getting closer to the user this way. It exists in different models, for passengers and drivers. **Turnout** is a **manual swivel base**. There is also an electric version **TURNOUT E**.

**Turnout BIS B-Max** is a complete solution for **Ford B-Max**. The kit includes the **Turnout swivel base**, the **specific mounting bracket** and a **seat with integrated belt**.

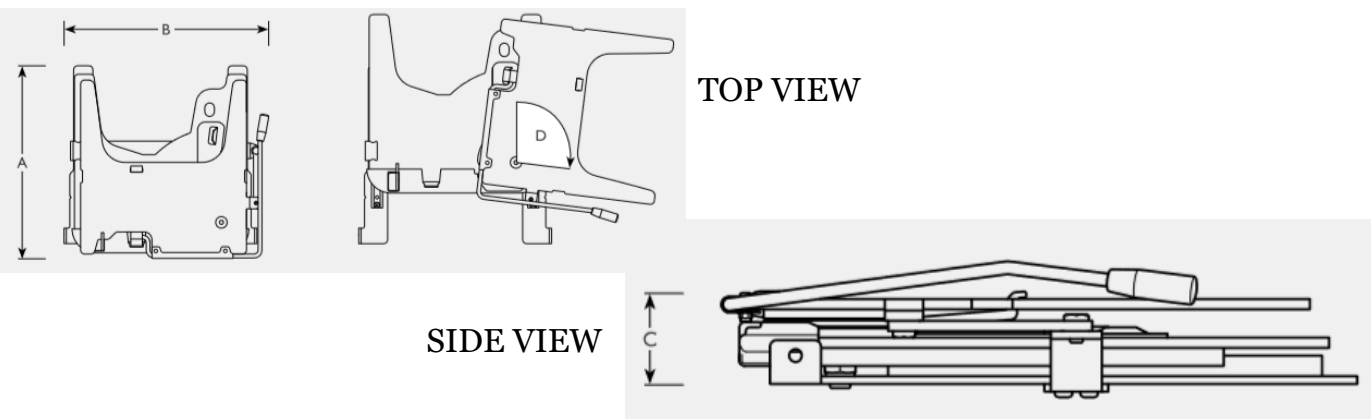


Main features • Swivel seat at the entrance • Manual or Electric Swivel • Adds a minimum height to the seat • Reduced weight

### Turnout: models and dimensions

Turnout		Installation in vehicle	Vehicle type	Length	Width	Height	Swivel range	Lengthwise movement	Vertical travel	Weight capacity	Unit weight
				A	B	C	D	E	F		
102597	Turnout 2	right	2 door	49	45	5.8/7.1**	0-97°	n/a*	n/a	180	21
102598	Turnout 2	left	2 door	49	45	5.8/7.1**	0-97°	n/a*	n/a	180	21
102599	Turnout 4	right	4 door	49	45	7.9	0-97°	n/a*	n/a	180	21
102600	Turnout 4	left	4 door	49	45	7.9	0-97°	n/a*	n/a	180	21
101844	Universal mounting bracket***										
101685	Open slewing bracket for 4										
103000	Turnout BIS, Ford B-Max	right	4 door	49	45	7.9	0-97°	n/a*	n/a	180	21
103001	Turnout BIS, Ford B-Max	left	4 door	49	45	7.9	0-97°	n/a*	n/a	180	21

All weights and dimensions are given in kilograms and centimetres, and for reference only. Weight capacity refers to the total weight of the seat, accessories and user.  
\*Use Caroslide (101864) to add electric lengthwise movement. \*\*Height depends on how you mount the included spacer.



Requires mounting brackets and Slide Rails (100505) for installation.

Recommended accessories: Tilda, Caroslide.

TURNOUT Swivel Seat



Address : BP19, 80490 Hallencourt, France

Tel : +33 (0)3 22 25 58 65 / Mobile : + 33 (0)6 45 72 46 90

contact@access-ability.eu  
www.access-ability.eu

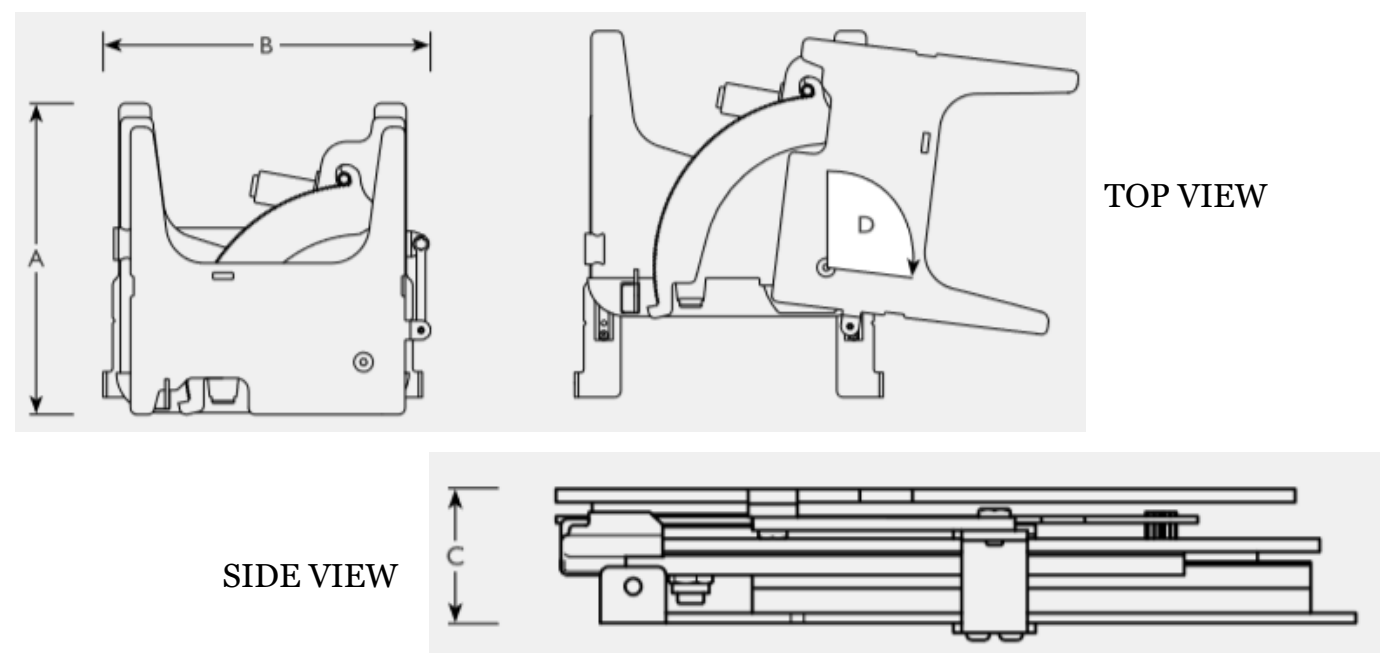
# Access-Ability, supplier of accessibility ...

The Turnout swivel base is also available in electric version Turnout E, 12V power supply.

## Turnout E: models and dimensions

Turnout		Installation in vehicle	Vehicle type	Length		Width		Height		Swivel range		Lengthwise movement		Vertical travel		Weight capacity	
				A	B	C	D	E	F								
102601	Turnout 2E	right	2 door	49	45	5.8/7.1**	0-97°	n/a*	n/a	180	22						
102602	Turnout 2E	left	2 door	49	45	5.8/7.1**	0-97°	n/a*	n/a	180	22						
102603	Turnout 4E	right	4 door	49	45	7.9	0-97°	n/a*	n/a	180	25						
102604	Turnout 4E	left	4 door	49	45	7.9	0-97°	n/a*	n/a	180	25						
101844	Universal mounting bracket***																
102484	Wireless remote (E only)																
102242	Open slewing bracket for 4E																

All weights and dimensions are given in kilograms and centimetres, and for reference only. Weight capacity refers to the total weight of the seat, accessories and user.  
\*Use Caroslide (101864) to add electric lengthwise movement. \*\*Height depends on how you mount the included spacer.



TURNOUT Swivel Seat

Requires mounting brackets and Slide Rails (100505) for installation.

Recommended accessories: Tilda, Caroslide.

PRODUCT	CARONY COMPATIBILITY			SEATS COMPATIBILITY				ACCESSORIES COMPATIBILITY		
	CARONY 16"	CARONY CLASSIC	CARONY GO	BEV & BEV KIDS	COMPACT	RECARO	GS	TILDA TILT	CARO-SLIDE	SLIDE RAILS
Turnout SWIVEL BASE	✗	✓ <sup>2</sup>	✓ <sup>2</sup>	✓ <sup>1</sup>	✓ <sup>1</sup>	✓ <sup>1</sup>	✓ <sup>1+4</sup>	✓	✓	✓
Turnout E SWIVEL BASE	✗	✓ <sup>2</sup>	✓ <sup>2</sup>	✓ <sup>1</sup>	✓ <sup>1</sup>	✓ <sup>1</sup>	✓ <sup>1+4</sup>	✓	✓	✓

**Please contact us for a free quotation!**



Address : BP19, 80490 Hallencourt, France

Tel : +33 (0)3 22 25 58 65 / Mobile : + 33 (0)6 45 72 46 90

contact@access-ability.eu  
www.access-ability.eu