

Turny Evo Swivel Seat

The **Turny Evo** is a **seat lift** that moves the car seat completely outside the vehicle and lowers it down to your desired level. This makes it easier for you to sit down or **transfer from a wheelchair**. Once you're seated, push a button and the Turny Evo will lift you inside the car. It's a simple yet very effective way to make your car more accessible.

Turny Evo allows the user to sit outside the vehicle and then be elevated up to inside, comfortably and safely. The exclusive feature of Turny Evo is its programmable stroke.

Main features:

- **Advanced technology seat lift**
- Programmable remote control stroke: **maximum space for the legs and for the head**
- **Electric lifting and turning**, very easy transfer
- Easy to use **hand control**
- Very good lifting height
- Integrated **footrest** and adjustable position for **more confort**
- **12 V POWER SUPPLY**



Turny EVO: compatibility matrix

SEAT COMPATIBILITY				
BEV	BEV KIDS	COMPACT	RECARO	GS
✓	✓	✓	✓ ¹	✓ ¹

1. requires adapter plate

CAROHY COMPATIBILITY			ACCESSORIES COMPATIBILITY		
CAROHY	CAROHY CLASSIC	CAROHY GO	TILDA TILT	CARO-SLIDE	SLIDE RAILS
✓ ³	✓ ³	✓ ³	✓	built in	✗

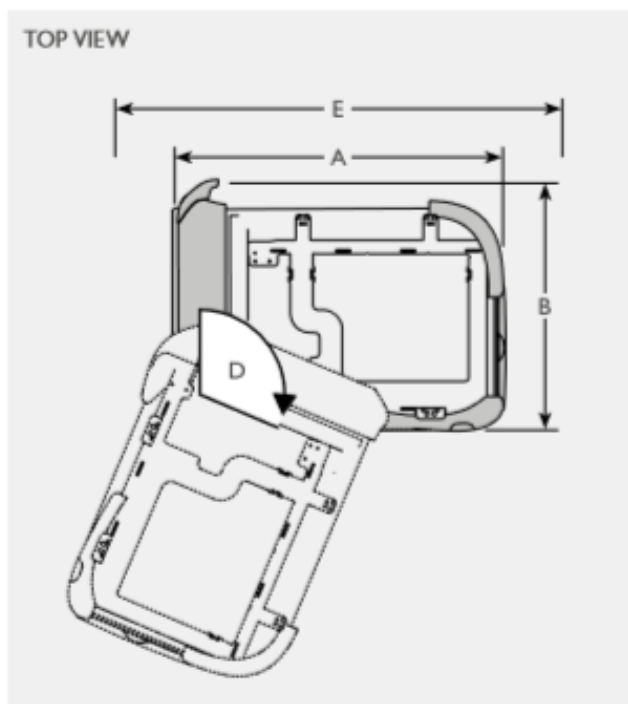
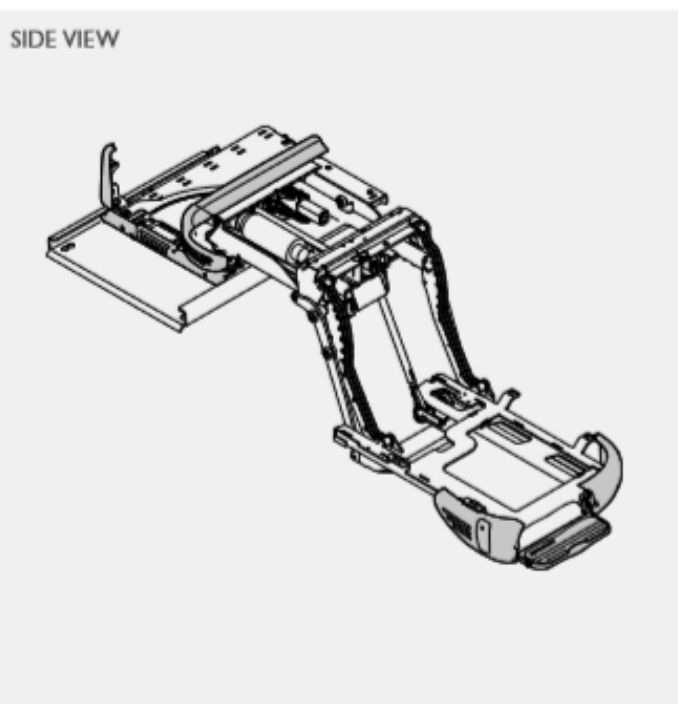
3. requires adapter plate with rails

NOTE: Turny Evo is sold without covers, they are sold separately.

Turny EVO : models and dimensions

Turny Evo		Installation in vehicle	Length	Width	Height	Swivel range	Lengthwise movement	Vertical travel	Weight capacity	Unit weight
			A	B	C	D	E	F		
103261	Turny Evo	right	70.3	54.2	16.3	0-113°	0-4l	39	180	84
103262	Turny Evo	left	70.3	54.2	16.3	0-113°	0-4l	39	180	84
103532	Application tool	right								
103533	Application tool	left								
103562	Universal mounting bracket*	front								
103563	Universal mounting bracket*	middle								
101865	Universal wireless remote									

All weights and dimensions are given in kilograms and centimetres, and for reference only. Weight capacity refers to the total weight of the seat, accessories and user.



TURNY EVO Swivel Seat

To guarantee your safety, Autoadapt products are designed and tested according to current directives and standards

Contact us for a free quotation!



Address : BP19, 80490 Hallencourt, France

Tel : +33 (0)3 22 25 58 65 / Mobile : + 33 (0)6 45 72 46 90

contact@access-ability.eu
www.access-ability.eu