

Turny HD and Turny Orbit Swivel Seat

TURNY HD / ORBIT Swivel Seat

TURNY: An electrically powered swivel base that allows you to rotate the car seat and pull it out completely. Turny is also a seat lift that allows the user to sit outside the vehicle and then be elevated inside comfortably and safely. Taking the seat completely out of the vehicle to a selected height can be very useful for or moving from the wheelchair to the vehicle seat.



Turny HD allows manual turning and electric lifting. **Turny Orbit** allows electrical turning and lifting. They can be installed **only** on the **passenger side**.

Main features:

- Seat lift at entry level
- Available in 300mm, 395mm and 480mm vertical travel
- No adapter plate needed for BEV and Compact seat
- Comfortable lifting height
- Optional footrest
- 12 V POWER SUPPLY
- Easy emergency operation
- Easy back-up systems
- EMC and crash test approved, CE-marked

TURNY HD



TURNY Orbit



SEAT COMPATIBILITY				
BEV	BEV KIDS	COMPACT	RECARO	GS
✓	✓	✓	✓	✓ ¹

1. requires adapter plate

CARONY COMPATIBILITY			ACCESSORIES COMPATIBILITY		
CARONY	CARONY CLASSIC	CARONY GO	TILDA TILT	CARO-SLIDE	SLIDE RAILS
✓ ³	✓ ²	✓ ²	✗	✗	✓

2. requires Carony rails

3. requires adapter plate with rails

NOTE:

Turny HD and Orbit are sold without the covers, they are sold separately.



Address: BP19, 80490 Hallencourt, France

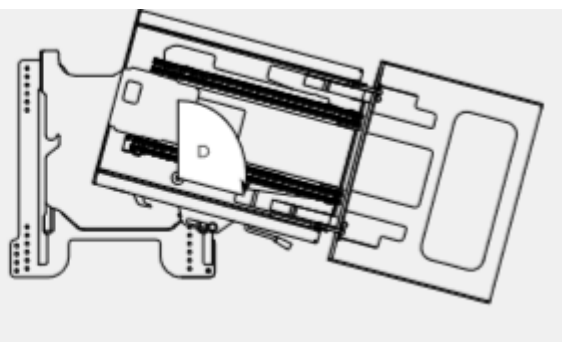
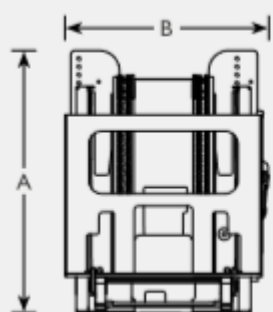
Tel : +33 (0)3 22 25 58 65 / Mobile : + 33 (0)6 45 72 46 90

contact@access-ability.eu
www.access-ability.eu

Turny HD : models and dimensions

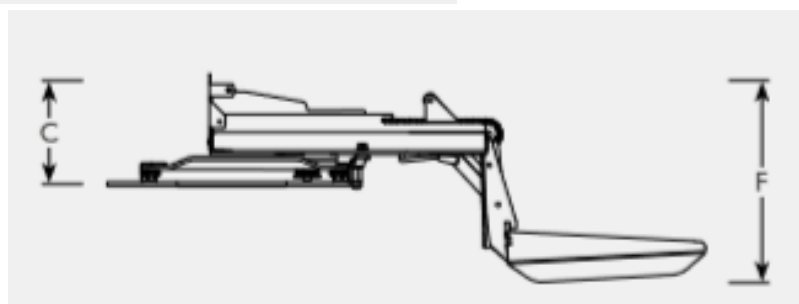
Turny HD	Installation in vehicle	Length	Width	Height	Swivel range	Lengthwise movement	Vertical travel	Weight capacity	Unit weight	
		A	B	C	D	E	F			
102281	Turny HD, 300	right	59*	47.5*	16.5	0-105°	n/a	30	170	59
102282	Turny HD, 300	left	59*	47.5*	16.5	0-105°	n/a	30	170	59
102283	Turny HD, 395	right	59*	47.5*	16.5	0-105°	n/a	39.5	170	60
102284	Turny HD, 395	left	59*	47.5*	16.5	0-105°	n/a	39.5	170	60
102285	Turny HD, 480	right	59*	47.5*	16.5	0-105°	n/a	48	170	61
102286	Turny HD, 480	left	59*	47.5*	16.5	0-105°	n/a	48	170	61
101877	Application tool	right								
102095	Application tool	left								
101836	Universal mounting bracket**									
102622	Door safety switch									
101292	Turny HD/Orbit footrest									
102484	Wireless remote									

All weights and dimensions are given in kilograms and centimetres, and for reference only. Weight capacity refers to the total weight of the seat, accessories and user.



TOP VIEW

SIDE VIEW



To guarantee your safety **Autoadapt products** are designed and tested according to current directives and standards.

Contact us for a free quotation!



Address : BP19, 80490 Hallencourt, France

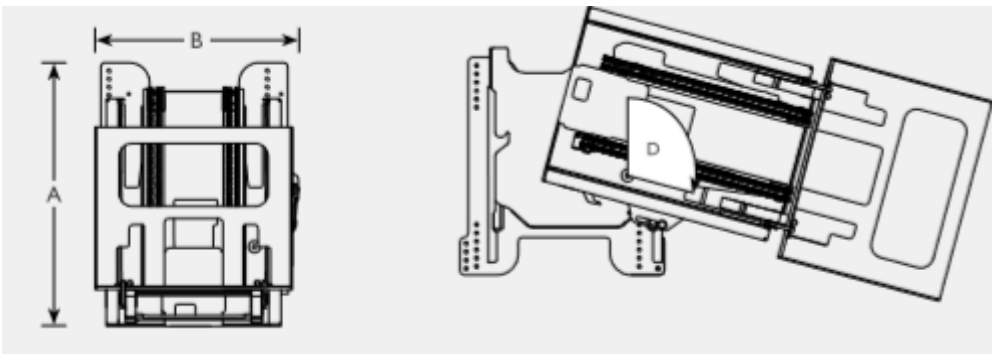
Tel : +33 (0)3 22 25 58 65 / Mobile : + 33 (0)6 45 72 46 90

contact@access-ability.eu
www.access-ability.eu

Turny ORBIT : models and dimensions

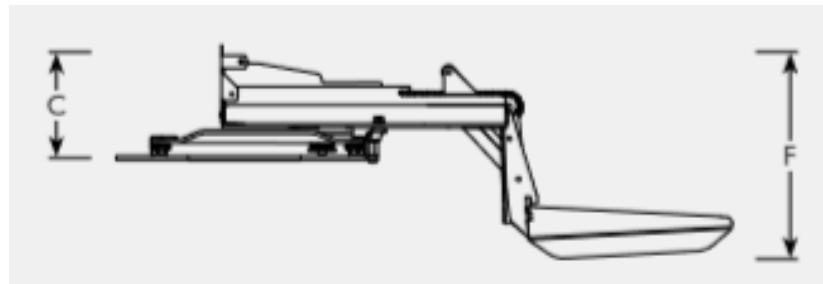
Turny Orbit	Installation in vehicle	Length	Width	Height	Swivel range	Lengthwise movement	Vertical travel	Weight capacity	Unit weight	
		A	B	C	D	E	F			
102287	Turny Orbit, 300	right	59*	47.5*	16.5	0-97°	n/a	30	170	60
102288	Turny Orbit, 300	left	59*	47.5*	16.5	0-97°	n/a	30	170	60
102289	Turny Orbit, 395	right	59*	47.5*	16.5	0-97°	n/a	39.5	170	61
102290	Turny Orbit, 395	left	59*	47.5*	16.5	0-97°	n/a	39.5	170	61
102291	Turny Orbit, 480	right	59*	47.5*	16.5	0-97°	n/a	48	170	62
102292	Turny Orbit, 480	left	59*	47.5*	16.5	0-97°	n/a	48	170	62
101877	Application tool	right								
102095	Application tool	left								
101836	Universal mounting bracket**									
102622	Door safety switch									
101292	Turny HD/Orbit footrest									
102404	Wireless remote									

All weights and dimensions are given in kilograms and centimetres, and for reference only. Weight capacity refers to the total weight of the seat, accessories and user.



TOP VIEW

SIDE VIEW



To guarantee your safety **Autoadapt products** are designed and tested according to current directives and standards.

Contact us for a free quotation!



Address: BP19, 80490 Hallencourt, France

Tel : +33 (0)3 22 25 58 65 / Mobile : + 33 (0)6 45 72 46 90

contact@access-ability.eu
www.access-ability.eu